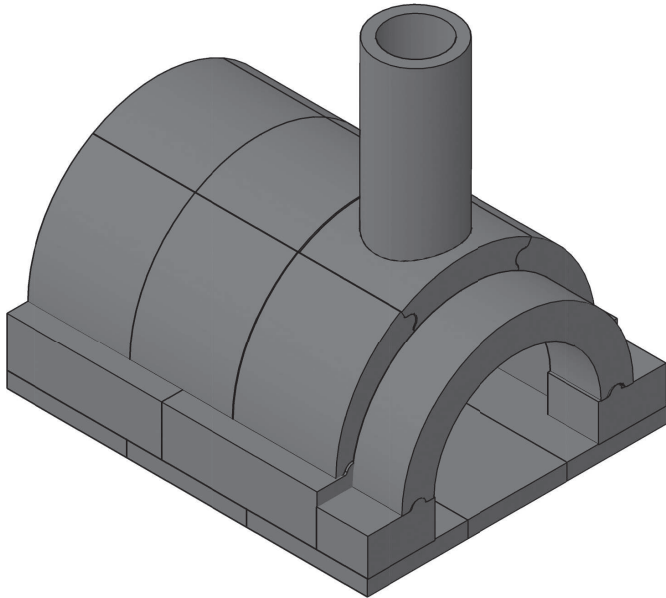




**GIRtech**



**BRAVO**

**FEEL LIKE A CHEF WITH  
A FULL DIY OVEN KIT**

**ASSEMBLY INSTRUCTIONS**



# ASSEMBLY INSTRUCTIONS

Oven is delivered in disassembled form. Each part of the kit is numbered from 1 to 9.

Full oven kit includes:

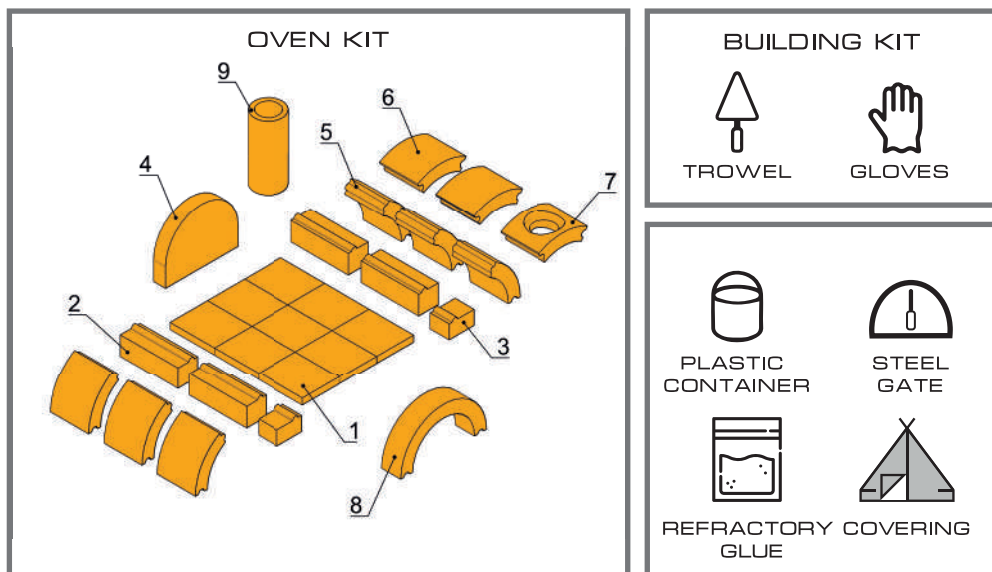
- 27 pieces of shaped fireclay stones (construction elements);
- 11 lb STOVEFLEX 1600 refractory glue;
- empty plastic container with a lid for preparing the solution;
- 1 building set (gloves and a trowel) for comfortable assembly process;
- 1 steel oven gate to preserve temperature during heating and cooking;
- 1 waterproof covering to protect the oven against moisture and precipitation during device lifecycle.

All construction elements are made of refractory materials (fireclay stone) and have fire resistance above 3074°F

One person is enough to assemble the oven during 1-3 hours.

All the elements and materials required for the assembly are supplied with this kit and ready to use.

## LIST OF SUPPLIED COMPONENTS



Prepare a base (brick or metal) on which the oven will be installed. If the base is metal, it is necessary to make a brickwork with next dimensions:

Length	36.2 in.
Width	26.9 in.
Hight	2.5-3.0 in.

On the brickwork laid out on the base, draw a marking with a length of 27.6 inches and a width of 22.9 inches. This is necessary to lay out the bottom layer of the oven without braking design and geometry of the construction during the assembly process.

The installation should be carried out at an ambient temperature from 46 to 95°F.

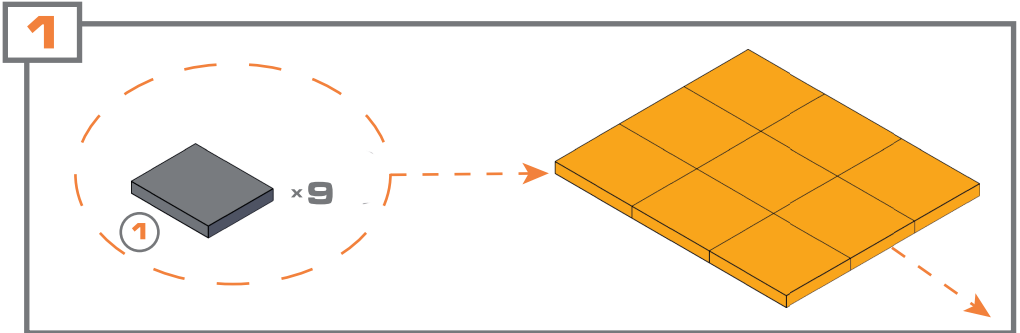
Prior to the brick-laying process, prepare the STOVEFLEX 1600 refractory glue. Add 63,3 - 66,7 fl.oz of water into the bucket provided in a set. Constantly stirring, add the content of a single package and mix it until the mass becomes homogeneous.

The term of adhesiveness of a ready-to-use refractory glue constitutes 2 h.

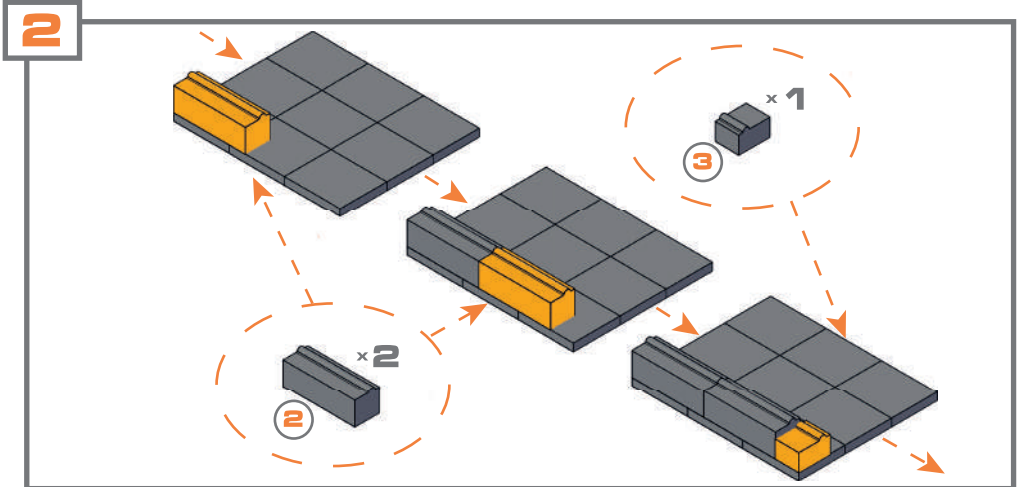
Lay the sole- the lower layer of the stove with marked at the previous stage elements, numbered 1 (Fig. 1) applying the STOVEFLEX 1600 refractory glue.

5 min prior to lining, wet the surface to be glued together with a small amount of water.

The thickness of each seam is to be 0.1-0.2 inches. After the brick-laying process is completed, additionally finish the seams with an amount of glue.

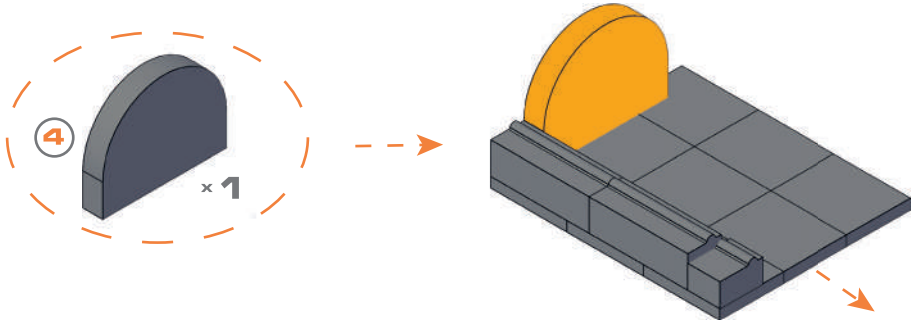


At the next stages, install the elements marked 2-9 according to the figures and glue them together with the ready-to-use STOVEFLEX 1600 refractory glue:



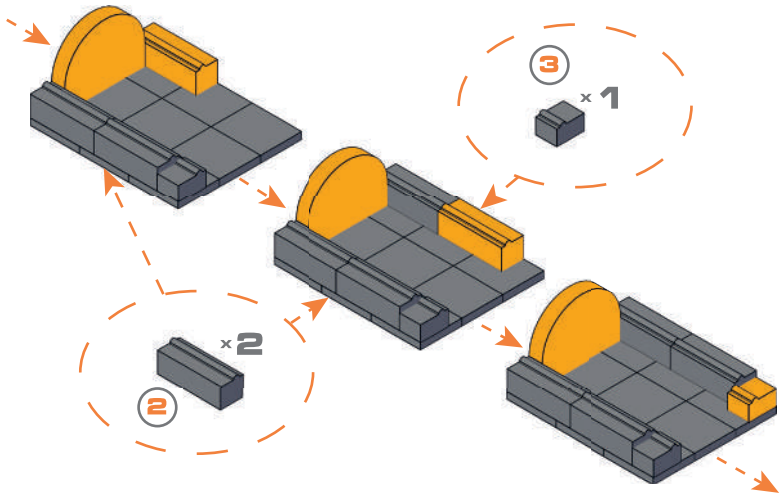
GLUE TOGETHER ALL THE PARTS OF A SET WITH READY-TO-USE REFRACTORY GLUE.

3

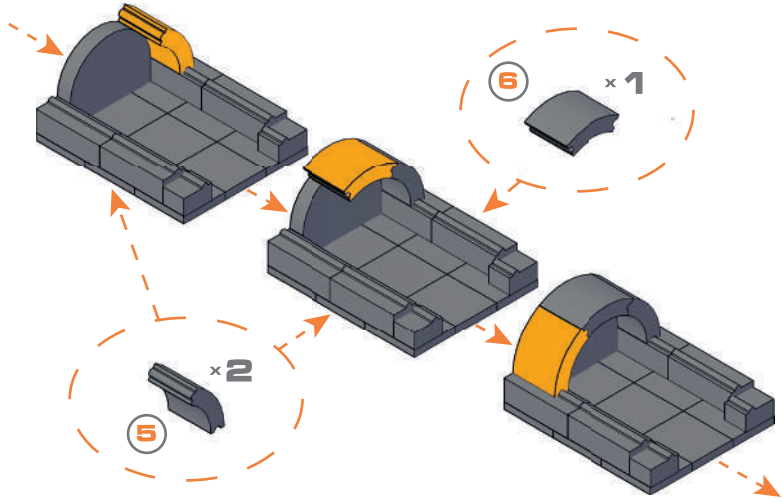


REPEAT STEP 2 WITH THE NEXT 3 ITEMS

4

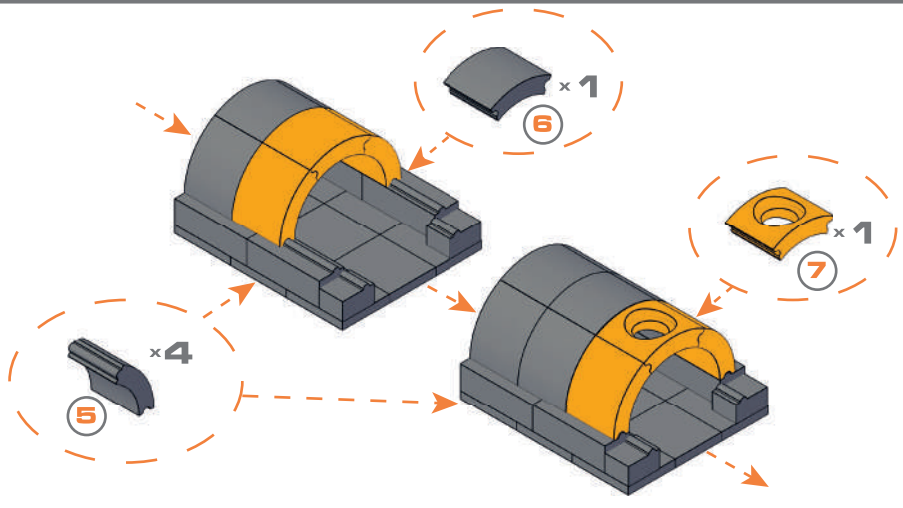


5

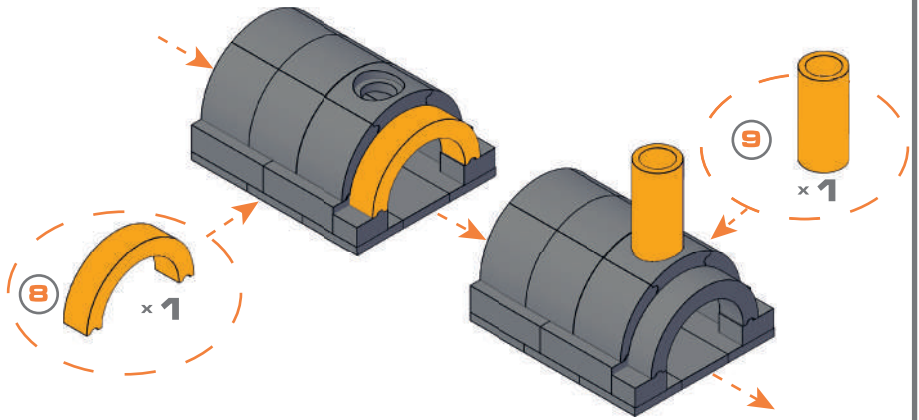


REPEAT STEP 5 WITH THE NEXT 2 ARCHES

6



DO NOT CHANGE THE LOCATION OF THE PIPE CUTOUT

**7**

After accomplished assembly please make first ignition as described in the passport.

During the operation of the oven, please observe the recommendations specified in the passport to ensure the correct and safe operation.

**Please study Passport safety section very carefully!**



GIRTECH.US